

Telescopic pillar

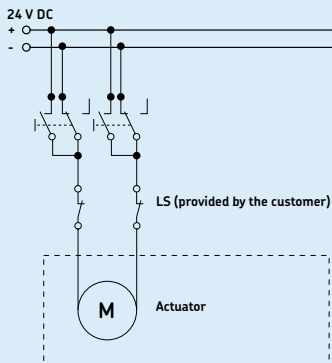
CAWA linear drive profile

Benefits

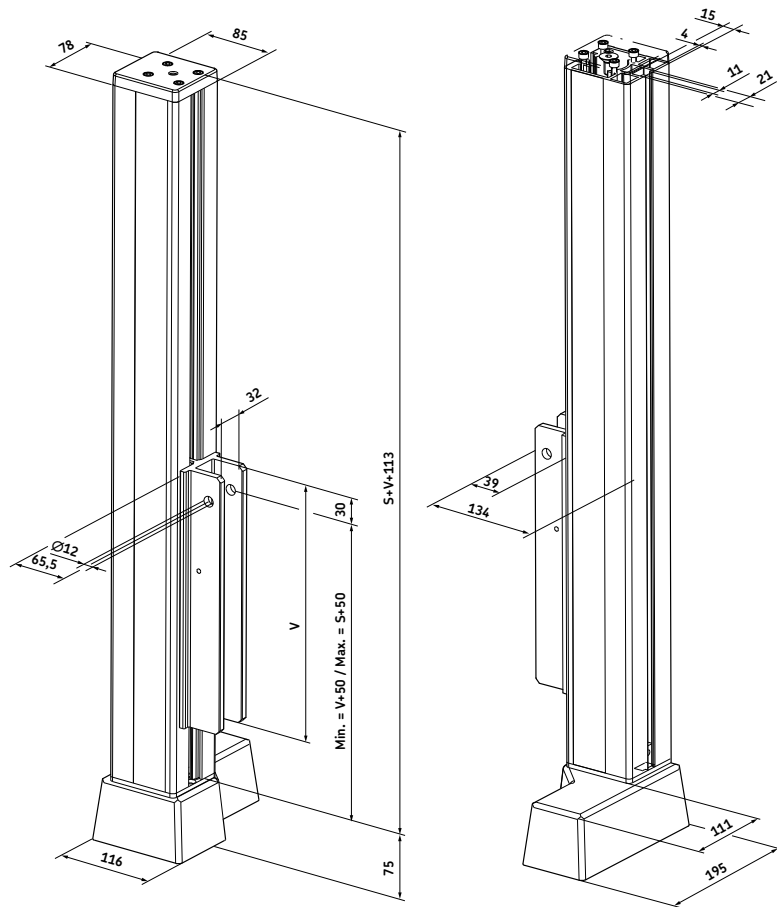
- Compact
- Lubricated for service life
- High operating reliability
- Selection of front attachments
- Powerful



Connecting diagram



Dimensional drawing

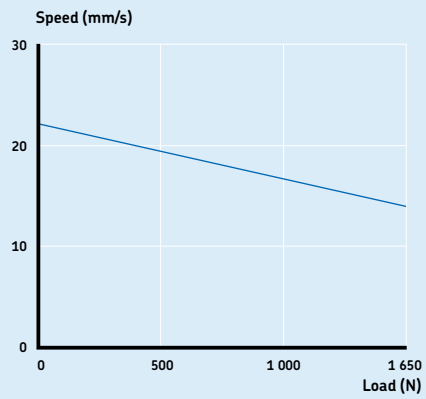


Legend:
 S = stroke
 L = retracted length
 V = carriage (295, 395 or 495 mm)

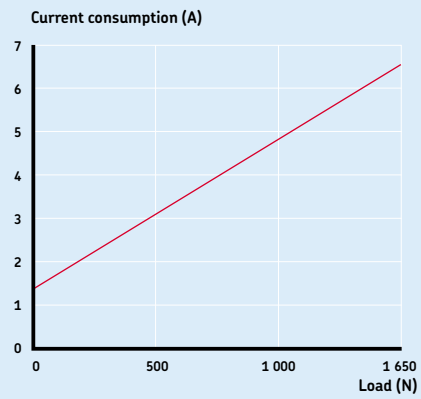
Technical data

	Unit	CAWA
Rated push load	N	1 650
Rated pull load	N	0
Speed (full load to no load)	mm/s	14 to 22
Telescopic pillar version	#of section	N/A
Stroke	mm	500 to 1 000
Retracted length	mm	$S+V+113+75$
Voltage	V DC	24
Power	W	132
Current	A	5,5
Duty cycle: intermittent operation	min.	1 min./9 min.
Ambient temperature	°C	+5 to +40
Type of protection	IP	20
Protection class	–	SELV
Type of control	–	electrical
Weight	kg	10 to 15

Performance diagrams



Speed-load diagram



Current-load diagram

Ordering key

CAWA [] [] [] X [] [] [] [] 24 000

Type

Stroke (S):

50 mm	0500
600 mm	0600
700 mm	0700
800 mm	0800
900 mm	0900
1 000 mm	1000

Carriage (V):

295 mm	295
395 mm	395
495 mm	495

Motor bracket:

Yes	K
No	0

Cover:

Yes	F
No	0

Voltage (V DC):

24	
----	--

© SKF is a registered trademark of the SKF Group

© SKF Group 2010

The contents of this publication are the copyright of the publisher and may not be reproduced (even extracts) unless prior written permission is granted. Every care has been taken to ensure the accuracy of the information contained in this publication but no liability can be accepted for any loss or damage whether direct, indirect or consequential arising out of the use of the information contained herein.

Printed in Sweden on environmentally friendly paper.

PUB MT/P8 10824 EN · May 2010

