

# Linear actuator

CAT 21B

## Benefits

- Compact design (efficient and cost effective)
- Ball screw technology
- High operating reliability
- Low energy consumption
- Lubricated for service life
- Corrosion resistant
- Silent operation
- Range of front and rear attachments



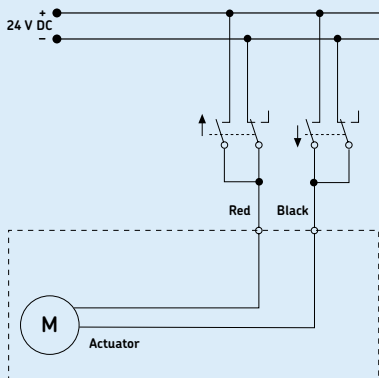
# CAT 21B

Linear actuators DC versions

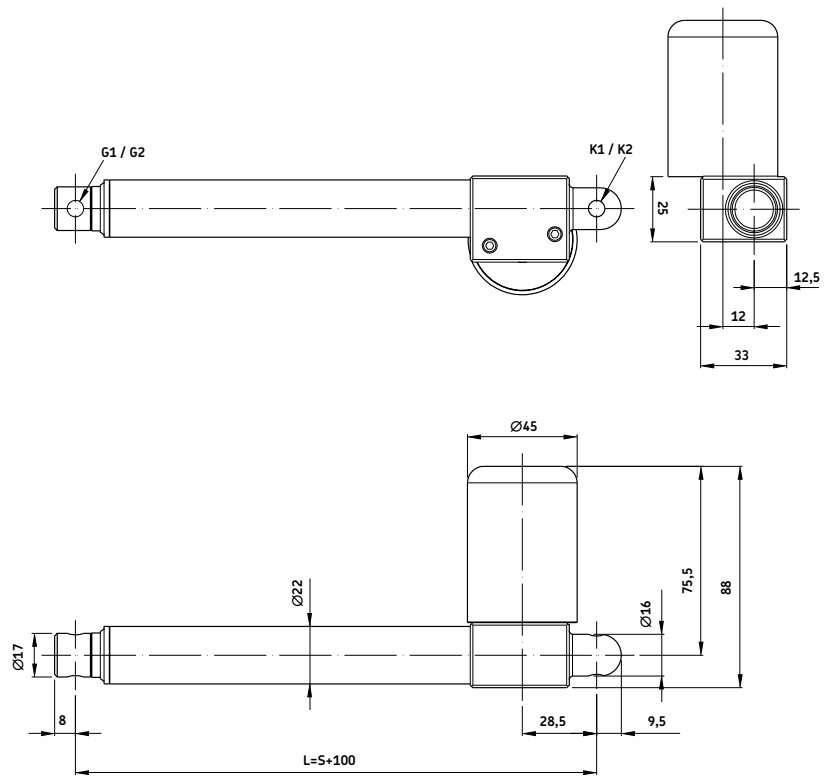
## Suitable control units and accessories

Control units					
	VCU 5	VCU 8	VCU 9	BCU 5	BCU 8
<b>CAT 21B</b>	●	●	●	●	●
Hand switch	●	●	●	●	●
Foot switch	●	●	●	●	●
Desk switch	●	●	●	●	●

## Connecting diagram



## Dimensional drawing

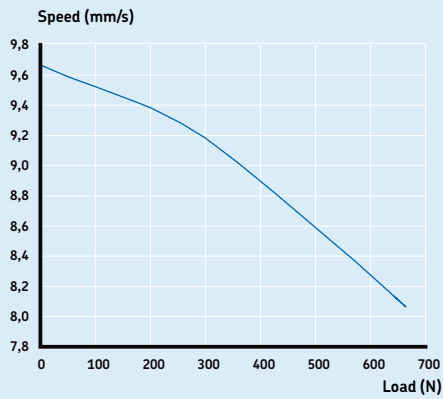


Legend:  
S = stroke  
L = retracted length

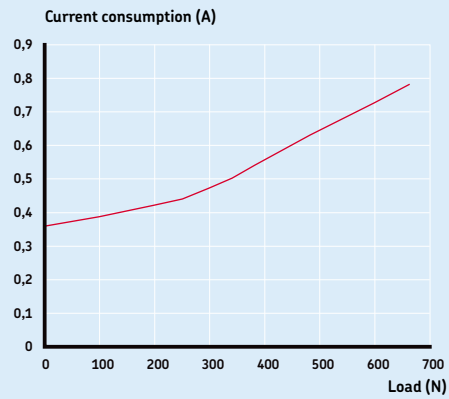
## Technical data

	Unit	CAT 21B
Push load	N	600
Pull load	N	600
Speed (full load to no load)	mm/s	8,1 to 9,7
Stroke	mm	50 to 300
Retracted length	mm	S+100
Voltage	V DC	24
Power consumption	W	N/A
Current consumption	A	0,7
Duty cycle	%	see diagram on next page
Ambient temperature	°C	N/A
Type of protection	IP	×4
Weight	kg	0,7 to 1,5
Color	-	Black

Performance diagrams

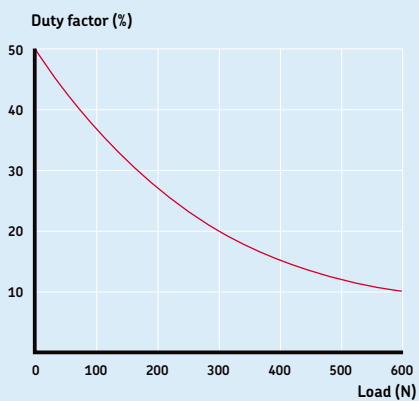


Speed-load diagram



Current-load diagram

Duty factor diagram



## Ordering key

	C	A	T		2	1	B	X			X	1			Z	/					
Type																					
Motor assembly:																					
Right																				R	
Left																					L
Stroke (S):																					
50 mm																					050
100 mm																					100
200 mm																					200
250 mm																					250
300 mm																					300
<i>Other stroke lengths</i>																					---
Rear attachment:																					
Single ear, hole diameter 6,35 mm																					K1
Single ear, hole diameter 8 mm																					K2
Front attachment:																					
Hole diameter 6,35 mm																					G1
Hole diameter 8 mm																					G2
Motor option:																					
24 V DC																					G24C
Cable option for motors:																					
Straight cable 610 mm, without plug																					O6
Straight cable 2500 mm, DIN8 plug																					C5

*Options written in italic fonts are only available on demand. Please contact SKF.*

## Options

## Standard options

Right or left handed motor orientation.  
With or without motor cover.

## Customer options (available on request)

Encoder and feedback options  
Adjustable or fixed position limit switches  
Special front and rear attachments  
Special colors and gear house engravings  
Special wiring and connectors  
Special lead screws and nut combinations  
12 V DC motor in quantity of 100 pcs. or greater

If in any application there is a risk that the actuator mechanically runs into the end stop, we recommend that you use the limit switch option.

© SKF is a registered trademark of the SKF Group

© SKF Group 2009

The contents of this publication are the copyright of the publisher and may not be reproduced (even extracts) unless prior written permission is granted. Every care has been taken to ensure the accuracy of the information contained in this publication but no liability can be accepted for any loss or damage whether direct, indirect or consequential arising out of the use of the information contained herein.

Printed in Sweden on environmentally friendly paper.

PUB MT/P8 10432 EN · Decemember 2009

